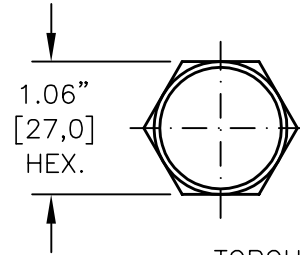
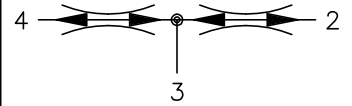
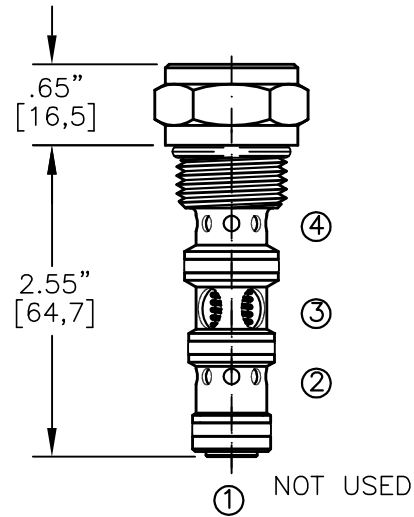
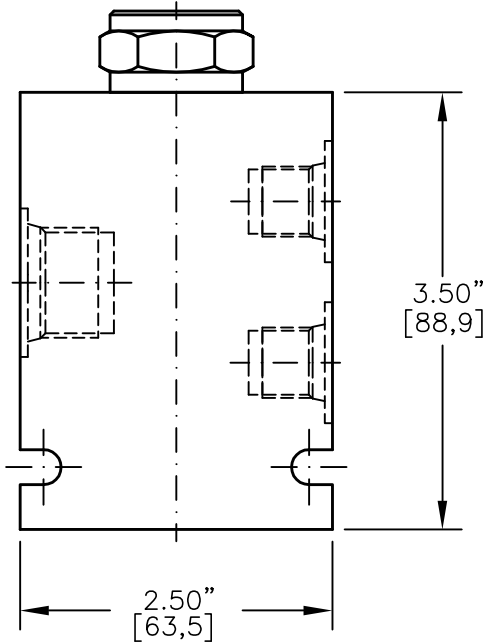




FLOW DIVIDER/COMBINER VALVE SPOOL TYPE.



TORQUE to 55/60 Ft-Lb.
[74/81 N-m]

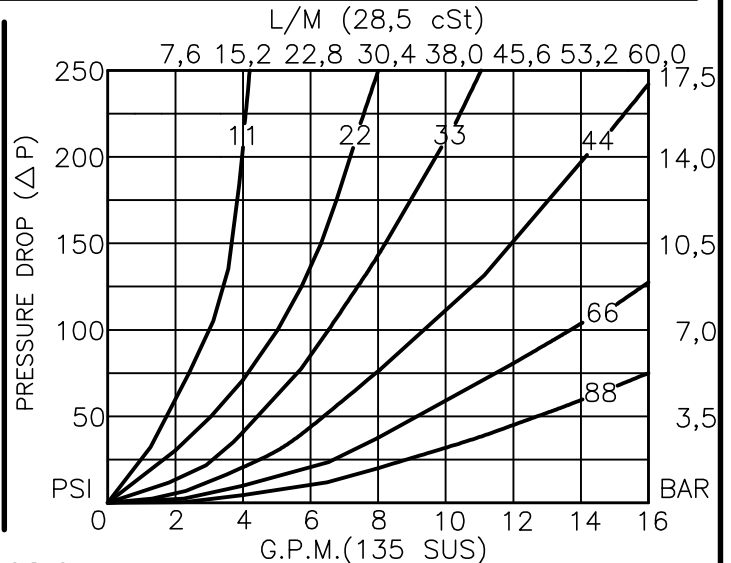


PORT #3 (INLET) IS ONE SIZE LARGER THAN PORTS #2 & #4 (OUTLET).
FOR ALUMINUM OR STEEL VALVE HOUSING CONFIGURATIONS SEE PAGE 0-042.2

FDCV-10-X-X-XX

- BASIC
- SIZE
10 = 7/8"-14 UNF
- SEALS
N = BUNA "N"
V = VITON
- PORT#3
0 = CARTRIDGE ONLY
03BX = G 3/8" BSPP
04BX = G 1/2" BSPP
08TX = SAE - #8
10TX = SAE - #10
"A" - ALUM. HOUSING
"S" - STEEL HOUSING

		FLOW DIVISION		
CODE	PORT#2	PORT#4	MAX FLOW	
11	50%	50%	2.0 GPM	
22	50%	50%	4.0 GPM	
33	50%	50%	6.0 GPM	
44	50%	50%	8.0 GPM	
66	50%	50%	12.0 GPM	
88	50%	50%	16.0 GPM	
12	33.3%	66.6%	3.0 GPM	
13	25%	75%	4.0 GPM	
24	33.3%	66.6%	6.0 GPM	
26	25%	75%	8.0 GPM	
36	33.3%	66.6%	9.0 GPM	
48	33.3%	66.6%	12.0 GPM	
21	66.6%	33.3%	3.0 GPM	
31	75%	25%	4.0 GPM	
42	66.6%	33.3%	6.0 GPM	
62	75%	25%	8.0 GPM	
63	66.6%	33.3%	9.0 GPM	
84	66.6%	33.3%	12.0 GPM	





FLOW DIVIDER/COMBINER VALVE SPOOL TYPE.

DESCRIPTION

This unit is a spool type, screw in cartridge style, flow divider/combiner valve.

OPERATIONS

This valve divides flow from port 3 to ports 2 and 4 and combines flow from ports 2 and 4 to port 3 at the specified flow division regardless of load or system pressure.

Should the circuit operation result in blockage of either port 2 or 4, the opposite port will continue to flow but at a reduced flow rate to synchronize a cylinder.

FEATURES AND BENEFITS

Flow accuracy dividing or combining:

+/-5.0% of flows under 40% of the rated flow.

+/-2.5% of flows over 40% of the rated flow.

Quiet and stable operation over wide varying flow, pressure and temperature range.

All external carbon steel parts are plated for longer life against the elements. All cartridge valves are 100% functionally tested.

Industry common cavity.

SPECIFICATIONS

OPERATING PRESSURE: 5,000 PSI [350 Bar]

PROOF PRESSURE: 10,000 PSI [700 Bar]

FLOW: 16.0 GPM [60 l/m] nominal. See performance chart.

VALVE HOUSINGS: 2500 PSI [175 Bar] = Aluminum - Anodized.

5000 PSI [350 Bar] = Steel - Unplated.

OPERATING TEMPERATURE: -40° to +250° F. [-40° to +120° C.]

OPERATING MEDIA: All general purpose hydraulic fluids such as

MIL-H-5606, SAE-#10, SAE-#20, etc.

INSTALLATION: No restrictions.

SEAL KIT: SKN-1040 Buna "N".

SKV-1040 Viton.

WEIGHT: .31 lb [.14 kg] cartridge only.

VALVE CAVITY: #C1040, See Page 0-042.0.